

SLIM SHOEBOX FLOOD 60W-300W

A terrific source of light for any exterior application where illumination is required. Widely used for outdoor basketball courts, tennis courts, football fields and gymnasiums. With a stylish and modern design, our Slim Shoebox has the ability to deliver high quality illumination to meet all of your outdoor lighting needs, while withstanding the most adverse climate conditions.



FEATURES

- High lumen output which is ideal for illuminating large, open spaces.
- Built-in thermal conductivity aluminum heat sink ensures excellent heat dissipation extending lifespan.
- Direct wall or pole mounting options.
- Wide input voltage, AC100-277/AC200-480V
- Available in 60W, 100W, 150W, 200W and 300W.
- Dimmable, photocell and occupancy sensors are available.
- Custom housing colour options available.
- Suitable for wet locations.
- Saves up to 60% energy consumption compared to traditional lighting.

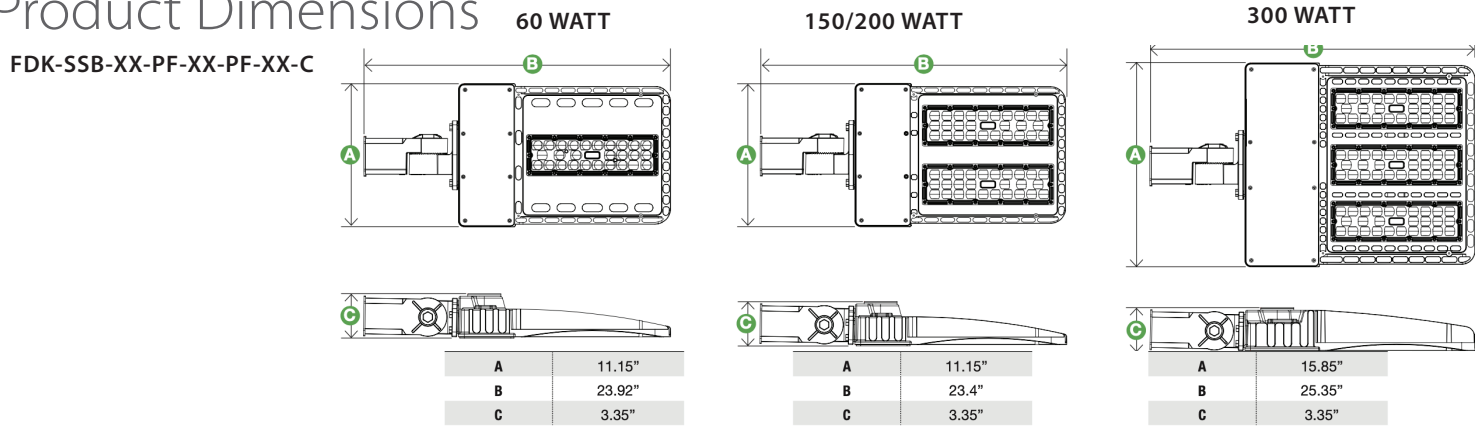
FUDAKIN™

LED LIGHTING

Product Parameters

MODEL	WATTS	INPUT VOLTAGE	LUMINOUS FLUX	CCT	CRI	BEAM ANGLE	WARRANTY	WORKING TEMP	MATERIAL
FDK-SSB-XX-06-XX-PF-XX-C	60W	AC100-277V or AC200-480V	≥8760	3000K 4000K 5000K	≥80	120°	5 years	-40° -50° C	Aluminium
FDK-SSB-XX-10-XX-PF-XX-C	100W		≥13600						
FDK-SSB-XX-15-XX-PF-XX-C	150W		≥21000						
FDK-SSB-XX-20-XX-PF-XX-C	200W		≥27000						
FDK-SSB-XX-30-XX-PF-XX-C	300W		≥39000						

Product Dimensions



SLIP FITTER
(2"-2-3/8")



FLAT ARM MOUNT



TRUNNION MOUNT



ROUND POLE
ADAPTER

Product Order Code

FDK	PF	XX	PF	XX	PF	XX	C
FUDAKIN	PRODUCT SERIES SSB - Slim Shoebox	INPUT VOLTAGE 27-AC100-277V 48-AC200-480V	WATTAGE 06 - 60 watt 10 - 100 watt 15 - 150 watt 20 - 200 watt 30 - 300 watt	CCT 30K - 3000K 40K - 4000K 50K - 5000K	DISTRIBUTION TYPE T2 T3 T4 T5	MOUNTING TYPE A - Arm S - Slip Fitter T - Trunnion	CONTROL P27-277V Photocell P48-480V Photocell M - Motion Sensor

