

TRACK LIGHTS

20W - 48W - 65W

Fudakin™ Track Lights are a must for every planned retrofit or new construction. With fixtures and bulbs that can range from 20W up to 65W, the Fudakin™ Track Light can replace any high output track head up to 150W, creating tremendous energy savings at an extremely affordable price.



FEATURES

- Outstanding optical design providing efficient light source
- Extruded aluminum with anodized surface treatment helps to create state-of-the-art heat sink
- High lumen output is idea for illuminating large spaces
- Attractive styling and durability
- Suitable for damp locations
- Wide input voltage, AC100 – 277V
- Available in 20W, 48W and 65W
- High luminous efficiency CREE LED
- cULus and DLC certified
- Available in 2700K – 5000K CCT
- Adjustable heads for multi-directional use
- Contains no mercury

BENEFITS

- Saves up to 60% energy consumption compared to traditional lighting
- Easy installation
- Maintenance free
- High quality and reliability
- Even light distribution with multiple beam angles
- Long life

APPLICATIONS

- As one of the most versatile light fixtures in the industry, track lights are highly utilized in retail stores, supermarkets and malls
- Also, many applications in exhibition halls, museums, galleries and display cases/cabinets

Product Parameters

MODEL	Watts	Input Voltage	Luminous Flux	CCT	CRI	Beam Angle	Warranty	Working Temp.	Material
FDK-TL-20-XXK-YY-ZZ	20	AC120V	≥1300lm	3000K 3500K 4000K	≥80	15/25/45°	5 Years	-30 - 50°C	Aluminum / Plastic
FDK-TL-48-XXK-YY-ZZ	48	AC120V	≥3000lm						
FDK-TL-65-XXK-YY-ZZ	65	AC120V	≥4000lm						

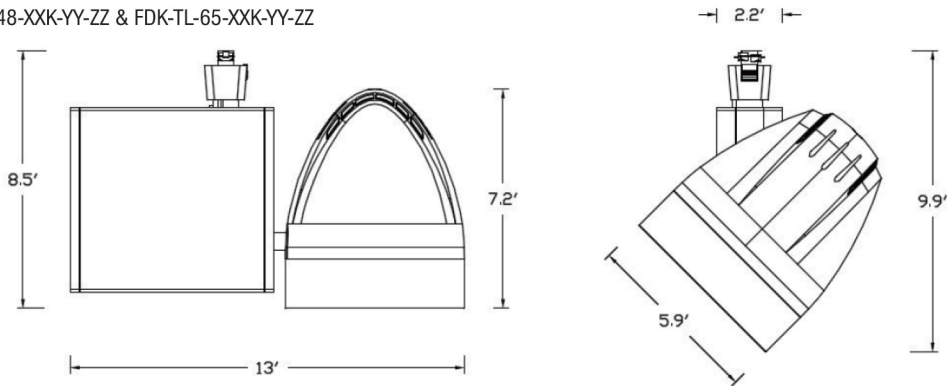
Fixture Name TBD - LED Track Head 65w 4000K 120V Black- Model: FDK-TL-65-40K-25-BL

Fixture Name TBD - LED Track Head 48w 4000K 120V Black- Model: FDK-TL-48-40K-25-BL

Product Series	Wattage	CCT	Beam Angle	Body Colour
TL - Track Light	20 - 20 watt 48 - 48 watt 65 - 65 watt	30K - 3000K 35K - 3500K 40K - 4000K	15 - 15° 25 - 25° 45 - 45°	WH = White BL = Black

Product Dimensions

FDK-TL-48-XXK-YY-ZZ & FDK-TL-65-XXK-YY-ZZ



FDK-TL-20-XXK-YY-ZZ

