

## SLIM CANOPY 45W-65W

An essential source of light for any exterior application or parking garage area. The Slim Canopy provides excellent coverage and are designed to withstand severe challenges posed by weather and outdoor conditions. Our Slim Canopy can enhance the look of outdoor retail environments and underground parking garage areas.

### FEATURES

- Outstanding optical design providing an efficient light source.
- Anti-glare design enables a high safety rating.
- Enables recessed installation for a clean appearance.
- Polycarbonate optical lens with heat resistance.
- Wide input voltage, AC100-277/AC200-480V
- Available in 45W and 65W.
- Dimmable, photocell and occupancy sensors are available.
- Custom housing colour options available.
- Suitable for wet locations.
- Saves up to 60% energy consumption compared to traditional lighting.

# FUDAKIN™

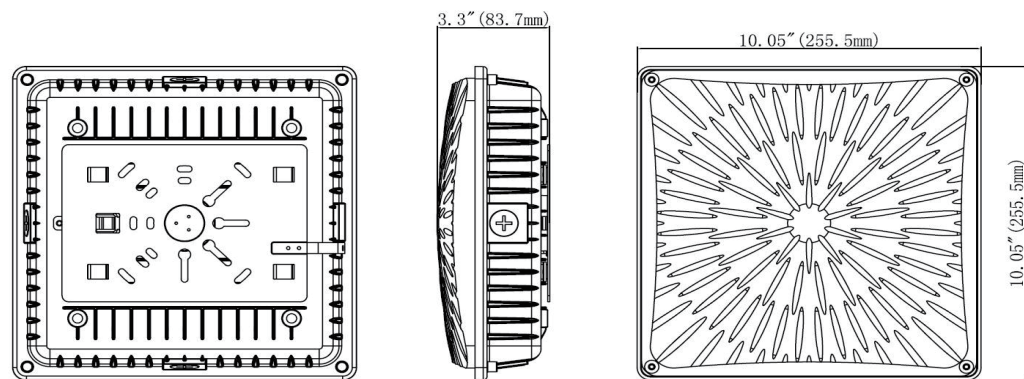
## LED LIGHTING

### Product Parameters

MODEL	WATTS	INPUT VOLTAGE	LUMINOUS FLUX	CCT	CRI	BEAM ANGLE	WARRANTY	WORKING TEMP	MATERIAL
FDK-SCP-45-PF-XX-D	45W	AC100-277V	≥5850lm	3000K 4000K	≥80	150°	5 years	-30° -50° C	Aluminium & PC
FDK-SCP-65-PF-XX-D	65W	or AC200-480V	≥8775lm	5000K					

### Product Dimensions

FDK-SCP-XX-PF-XX-D



### Product Order Code

<b>FDK</b>	<b>PF</b>	<b>XX</b>	<b>PF</b>	<b>XX</b>	<b>C</b>
FUDAKIN	PRODUCT SERIES SCP - Slim Canopy Light	WATTAGE 45 - 45 watt 65 - 65 watt	INPUT VOLTAGE 27 - AC100-277V 48 - AC200-480V	CCT 30K - 3000K 40K - 4000K 50K - 5000K	CONTROL P27-277V Photocell P48-480V Photocell M - Motion Sensor

