

PREMIUM LOW BAY 40W-120W

A state of the art design offering a professional-looking solution for a variety of commercial and retail environments. Our low bays offer a consistent even distribution of light, where illumination is required.



FEATURES

- Outstanding optical design providing an efficient light source
- Anti-glare design enables a high safety rating.
- Built-in thermal conductivity aluminum heat sink ensures excellent heat dissipation extending lifespan.
- Dimming to 10%
- Life span of more than 50,000 hours.
- Wide input voltage, AC100 - 347V.
- Available in 40W, 80W and 120W.
- High-efficiency current driver.
- Saves up to 60% energy consumption compared to traditional lighting.

FUDAKIN™

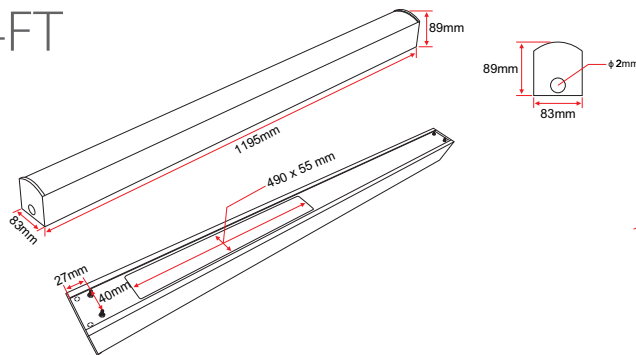
LED LIGHTING

Product Parameters

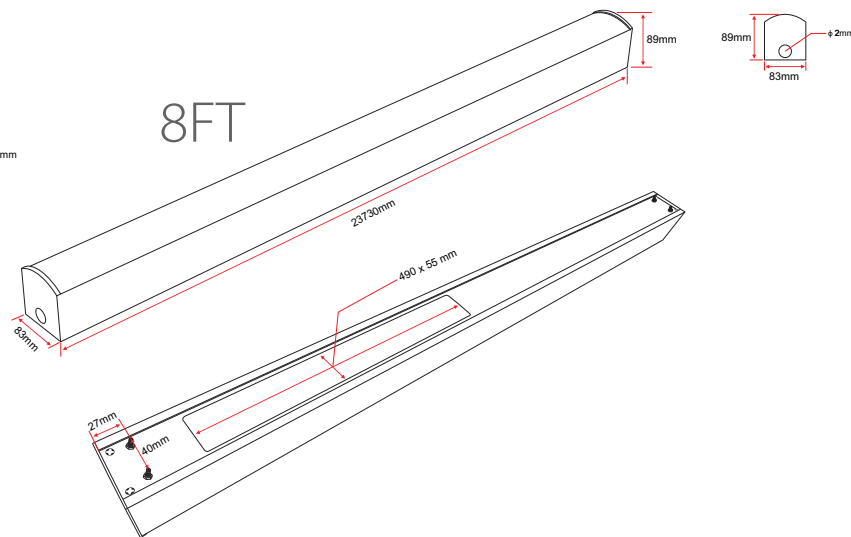
MODEL	WATTS	INPUT VOLTAGE	LUMINOUS FLUX	CCT	CRI	BEAM ANGLE	WARRANTY	WORKING TEMP	MATERIAL
FDK-PLB-04-40-XX-PF-D	40W	AC100-277V or AC100-347V	≥4200lm	3500K	≥80	60-90°	5 years	-20° -50° C	Aluminium & PC
FDK-PLB-08-80-XX-PF-D	80W		≥8400lm	4000K					
FDK-PLB-08-120-XX-PF-D	120W		≥12600lm	5000K					

Product Dimensions

4FT



8FT



Product Order Code

FDK	PF	XX	PF	XX	PF	D
FUDAKIN	PRODUCT SERIES PLB - Premium Low Bay	SIZE 04 - 4FT 08 - 8Ft	WATTAGE 40 - 40 watt 80 - 80 watt 120 - 120 watt	INPUT VOLTAGE 120V - AC 100-277V 347V - AC 120V-347V	CCT 35K - 3000K 40K - 4000K 50K - 5000K	DIMMABLE D-Dimmable

